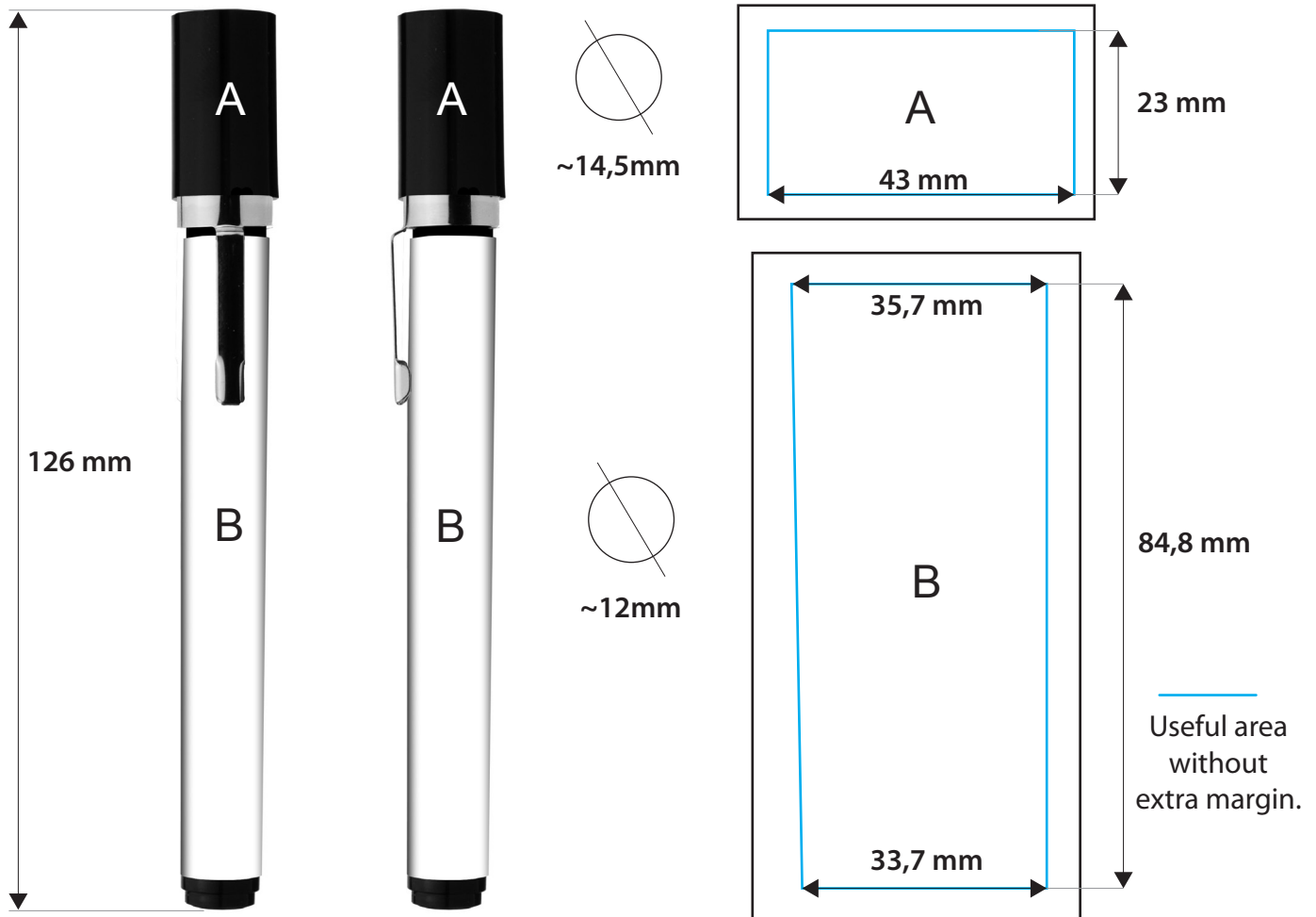




TURBO PEN

COD. ART. 0.010 TURBO PEN



File sizes A : 50X30 [mm]
 File sizes B : 93,5X46 [mm]

FRONT & LAT. VIEW - SCALE 1:1

Type: ballpoint pen with cap.

Model: ABS pen with personalised body and cap, metal clip.

Customisation: digital printing at 360° and graphic protected by transparent film. (the top of the cap (A) is not coated and is black in colour).

Colours: Black ABS terminals and cap, black body.

Clip colour: metal with shiny gold finish.

Packaging: customised exhibitor of 40pcs. (Art.0.011) or loose in bags of 100 pieces with cap and body separated.